

Kliklok C-150 Wraparound Sleever.

MEDIUM-SPEED WRAPAROUND SLEEVING.

The C150 wraparound sleeve is designed to accommodate the sleeving of meal trays, tubs, and pots, either individually or in a variety of multi-pack configurations, such as single-row, double-row and stacked. Carton blanks are placed atop collated tubs or trays and folded around the product(s) to form the final package. The C150 has been developed to handle a wide range of different products and carton styles and shapes, including full, economy, watch strap style, gusseted and other carton profiles.

EASY OPERATION WITH INSIGHT® TOUCHSCREEN HMI

The industry-leading Insight® color graphic touchscreen HMI is intuitive and features recipe-based programming that reduces operator error and ensures consistent performance regardless of shift or operator skill. Enhanced diagnostics are standard.

PROVEN TWIN-ARM ROTARY CARTON FEEDER

Kliklok's patented twin-arm rotary carton feeder is paired with a powered high-capacity carton hopper to provide consistent high-speed carton transfer.

SERVO-DRIVEN PRODUCT INFEEDS

Several options offer great flexibility to meet your needs: side running chains, scroll, and Smart Belt. Each is well-proven, robust, and reliable, and provides maximum efficiency with minimum waste.

QUICK AND REPEATABLE SIZE CHANGES

Recipe-based programming and simple mechanical hand wheels with digital counters make three-dimensional size changes easy, quick, and repeatable.

OPEN, CANTILEVERED DESIGN FOR EASY ACCESS

The unique open design of the C150 provides high visibility, easy accessibility, and superior sanitary construction. Simply lifting the hinged safety doors provides total access for maintenance.

Your benefits

- ❑ Speeds up to 150 cpm
- ❑ Servo-driven product infeeds
- ❑ Easy-to-use Insight® touchscreen HMI
- ❑ Wraparound cartoning conserves paper, energy, and consumables costs
- ❑ Lock or glue closure



Packaging Line Structure.

Primary Packaging

Vertical Bagmaker

Horizontal Wrapper

Cup Filler

Product Handling

Pick and Place Robotics

Product Timing / Loading

Secondary Packaging

Topload

Endload

Wraparound

Case Packers

Kliklok C150 Wraparound Cartoner (Sleever)

Standard Features

- 12" pitch
- Innovative Insight® color graphic touchscreen HMI
- Powered high-capacity hopper
- Quick size change with digital size change adjusters
- Servo-driven product infeed mechanism
- CE marked and manufactured to current EC standards
- Hot melt glue jet system
- Glue stripe control via screen menu
- Stainless steel frame
- Twin-arm rotary carton feeder
- Product infeed conveyor
- Central lubrication system
- Cantilevered design
- CE compliant

Optional Features

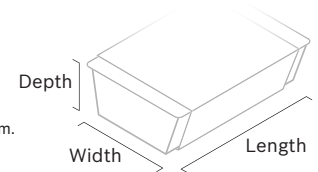
- Washdown sanitation specifications
- Alternative flight pitch
- Lock closure
- Alternative product infeed options
- Opposite-hand version

Technical Specifications

Performance	min.	max.
Speed (cartons per minute)	25	150 (12" pitch)
<small>Actual speed depends upon machine and product configuration and carton size and style.</small>		
Carton Size Range	min.	max.
Length	63 mm (2.50")	270 mm (10.63")
Width *	203 mm (8.00")	498 mm (19.63")
Product Size Range	min.	max.
Length	63 mm (2.50")	270 mm (10.63")
Width	38 mm (1.50")	254 mm (10.00")
Depth	19 mm (0.75")	127 mm (5.00")

* Carton "width" in this case, refers to the flat carton's longest measurement.

An individual product/carton combining multiple minimum or maximum dimensions may not be compatible with the standard system.



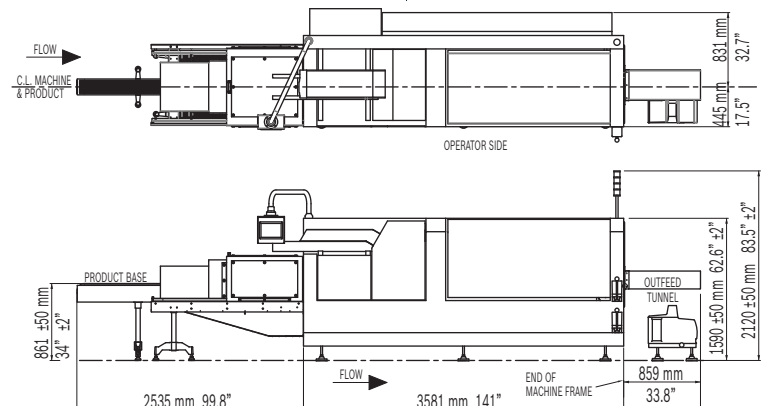
Operating Requirements

Power Consumption	7.6 kVA
Air	100 L/min (3.5 cfm) 4 bar (60 psi)

Construction

Stainless steel frame. Nickel-plated chains, pulleys and sprockets. Clear polycarbonate guards.

Shipping Weight, Estimated 2000 kg (4400 lb)



Kliklok Corporation, A Syntegon Technology Company
5224 Snappinger Woods Drive
Decatur, GA 30035 USA

Phone +1 770 981-5200
Fax +1 770 987-7160
Mail 2p.3p@syntegon.com
Web www.syntegon.com/2p

Document PAUS-MKT-00088 Rev 4
Date 05.11.2020

© Syntegon Group | PAUS | 05.2020 | Subject to change without notice.